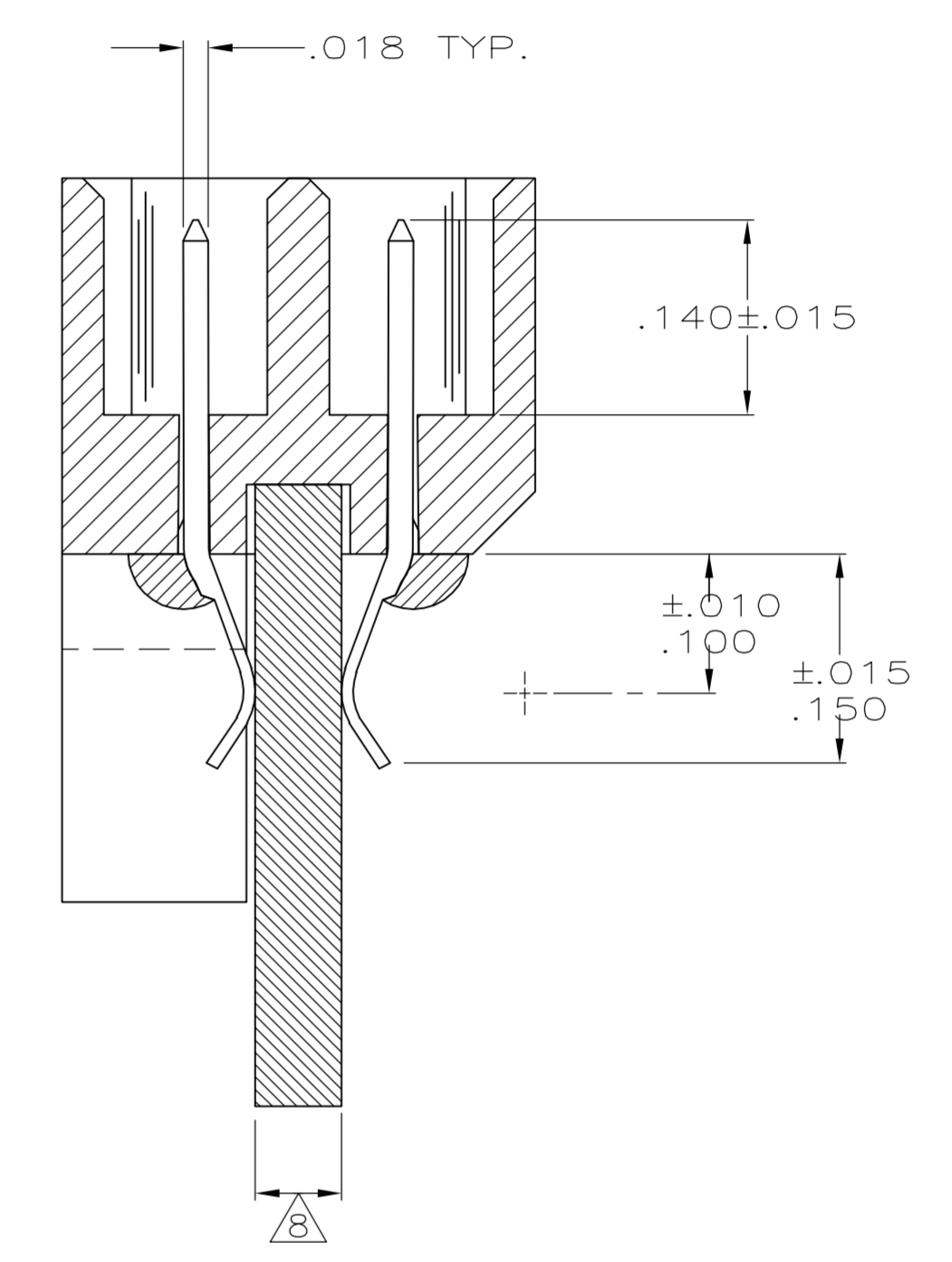
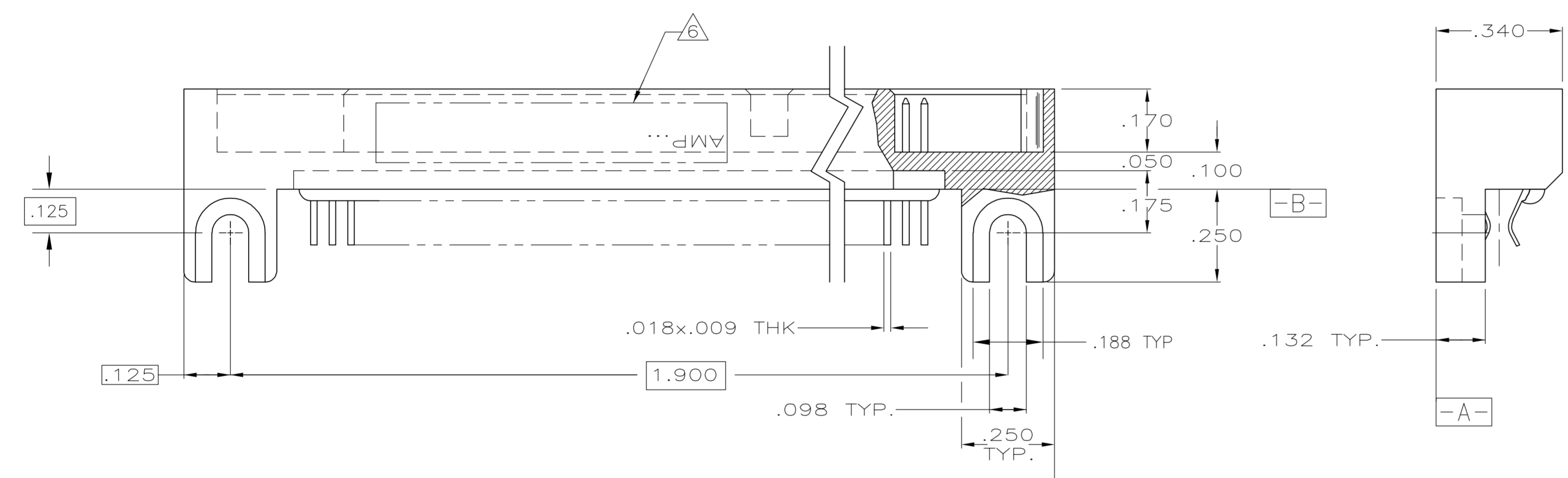
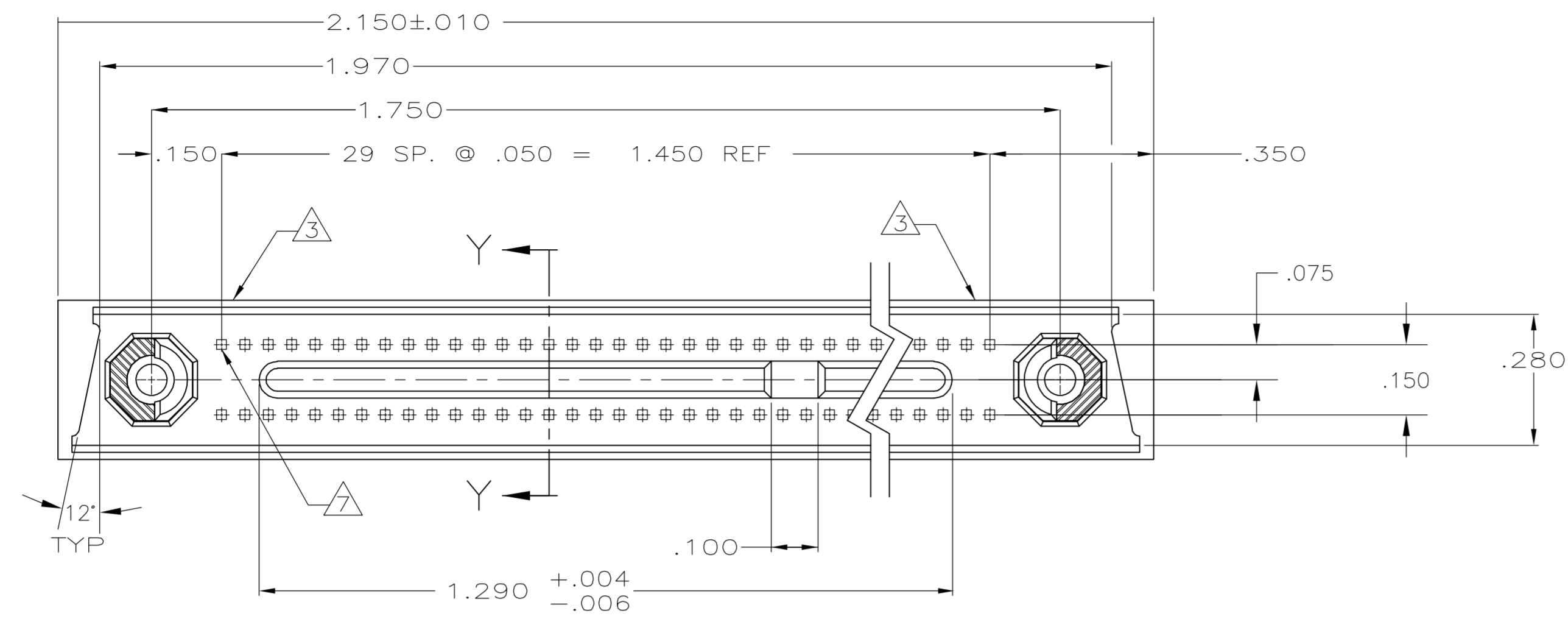
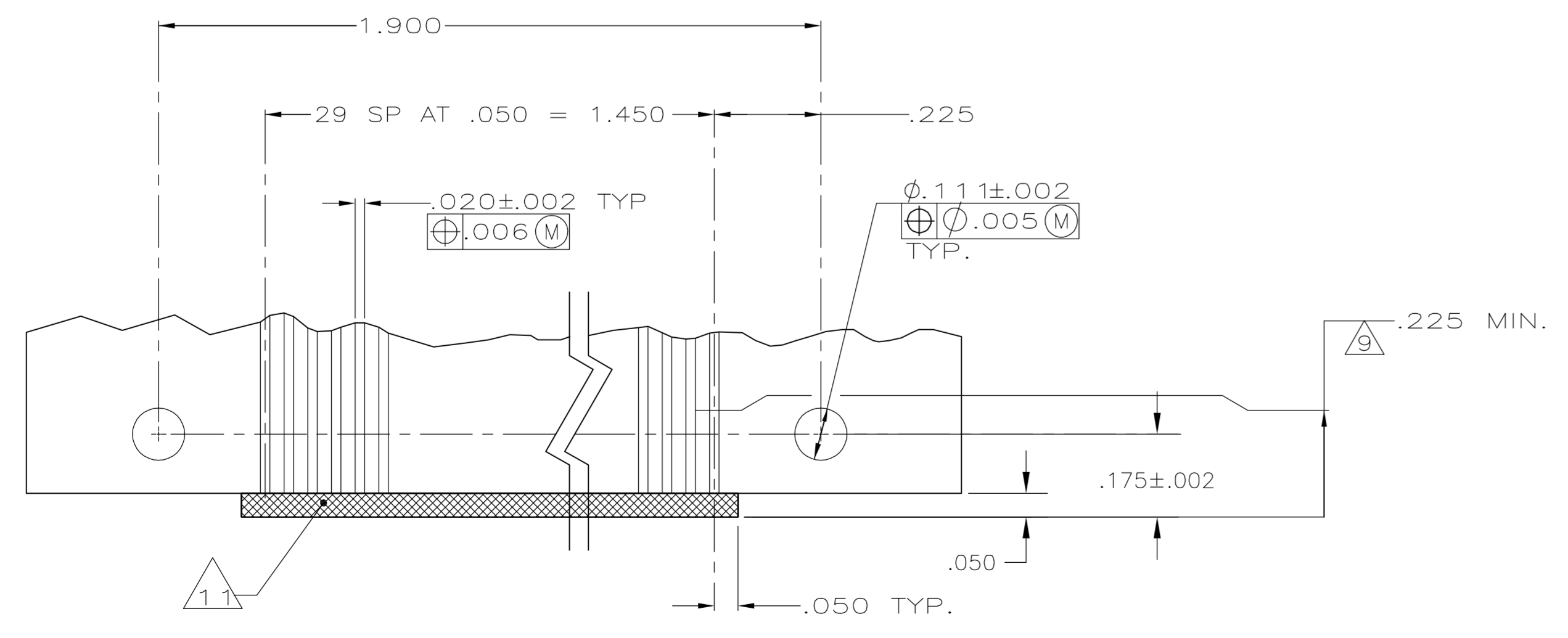
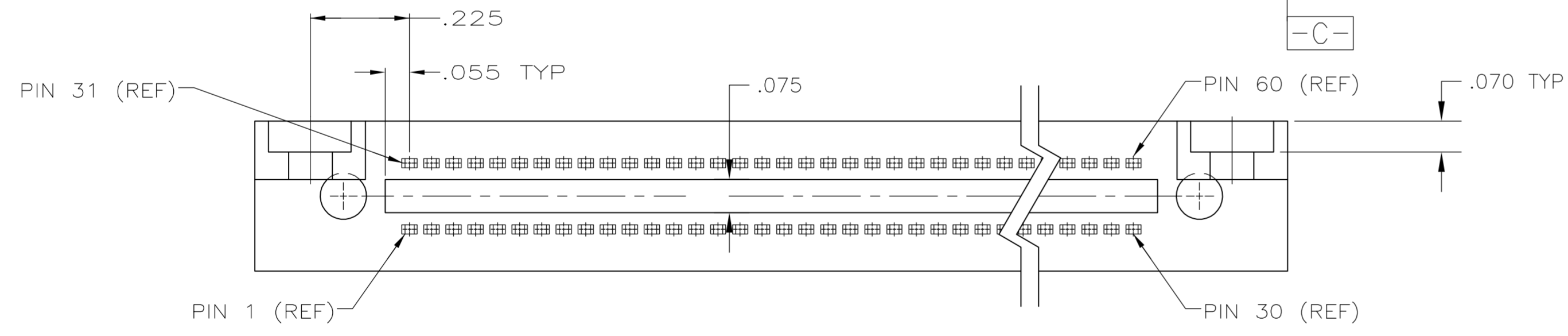


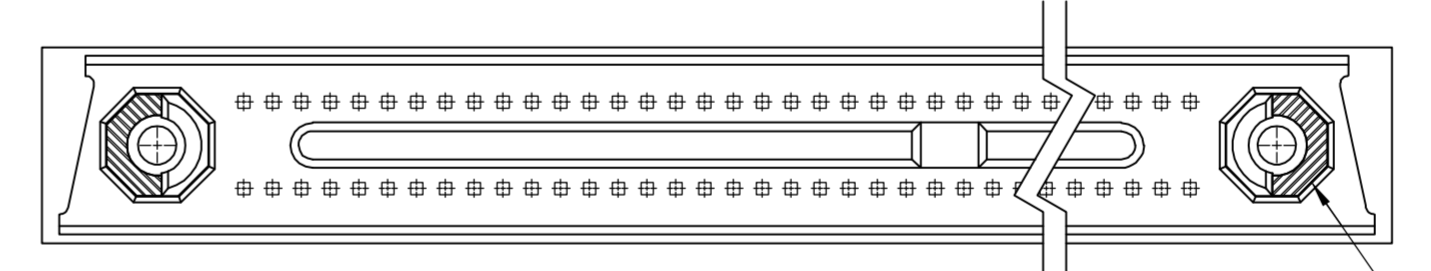
- 1. HOUSING MATERIAL: LIQUID CRYSTAL POLYMER PER MIL-M-24519, GLCP-30F; COLOR: GRAY.
- 2. CONTACT MATERIAL: BRASS.
- 3. END CAVITY IDENTIFICATION NUMBERS, MARKED ON THIS SIDE, (SEE TABLE).
- 4. MUST MEET REQUIREMENTS OF MIL-C-55302. GROUP "A" TESTING REQUIRED.
- 5. CONTACT FINISH: .000050 MIN GOLD IN CONTACT AREA, PRETINNED TAILS FOR SOLDERABILITY ALL OVER NICKEL PER MIL-C-55302.
- 6. AMP, AMP PART NO., DATE CODE AND 00779 MARKED IN THIS AREA.
- 7. CAVITY NO. 1
- 8. .076±.007 THICK PRINTED CIRCUIT BOARD.
- 9. MINIMUM PAD LENGTH ON PRINTED CIRCUIT BOARD.
- 10. KEYS ARE INSTALLED IN ORIENTATIONS SHOWN. THE RECESSED PORTIONS ARE SHOWN AS CROSSHATCHED.
- 11. IF P.C. BOARD TAB IS TO BE INSERTED IN CONNECTOR SLOT IT MUST BE REDUCED TO .070 MAX THICK.
- 12. AMP PART NUMBER 530721-4 KIT INCLUDES 2 KEYS AND 2 RIVETS.



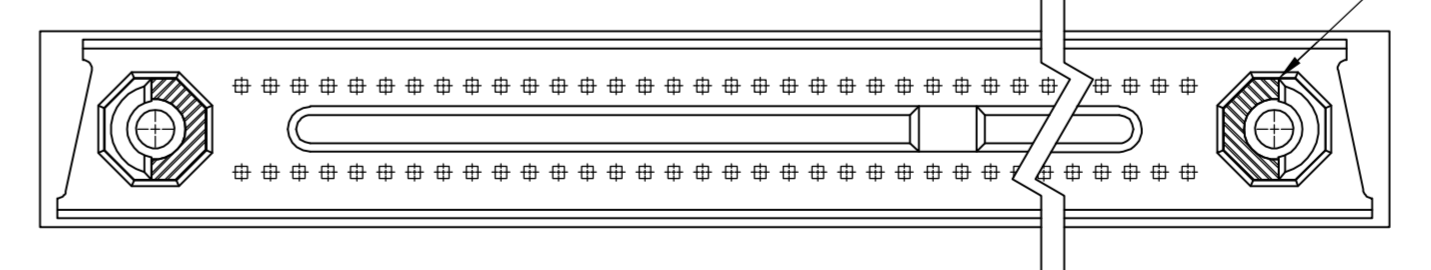
SECTION Y-Y
 SCALE 8:1
 (ROT. 90° CW)



RECM. .P.C. BD. LAYOUT



VIEW A
 KEY INSTALLATION FOR -1



VIEW B
 KEY INSTALLATION FOR -2

SEE VIEW B	1 & 30	60	443906-2
SEE VIEW A	1 & 30	60	443906-1
REMARKS	CAVITY IDENT	NO OF POSN	PART NUMBER

THIS DRAWING IS A CONTROLLED DOCUMENT.		DWG C.C.THOMAS 2-19-97	Tyco Electronics Corporation Harrisburg, Pa 17105-3608	
DIMENSIONS: INCHES		CHK D.GUTTER 3-3-97	NAME D.GUTTER 3-3-97	
TOLERANCES UNLESS OTHERWISE SPECIFIED:		PRODUCT SPEC		
0 PLC	± -	APPLICATION SPEC		
1 PLC	± -	SIZE		
2 PLC	± -	CASE CODE		
3 PLC	± .005	DRAWING NO		
4 PLC	± -	RESTRICTED TO		
ANGLES	± -	A1 00779 C=443906		
MATERIAL	FINISH	WEIGHT	CUSTOMER DRAWING	
1	2	3	SCALE 4:1	SHEET 1 OF 1 REV B