

Technical specification:

Rated voltage: IEC 61076-2-101	60 V
Current rating: IEC 61076-2-101	4 A at 40°C
Insulation resistance: IEC 60512	≥100 MΩ
Pollution degree: IEC 60664-1	3/2
Degree of protection: IEC 60529	IP 67, in mated condition
Temperature range: IEC 60664-1	-30°C ... +80°C
Mating cycles: IEC 60512-9a	≥100

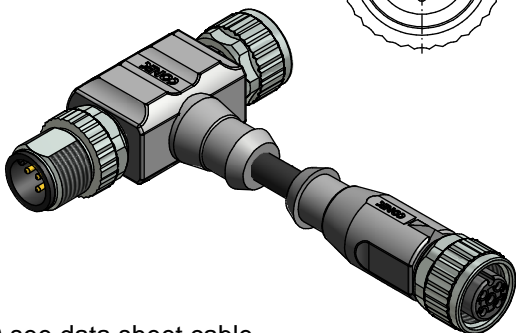
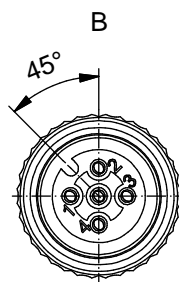
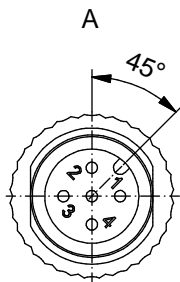
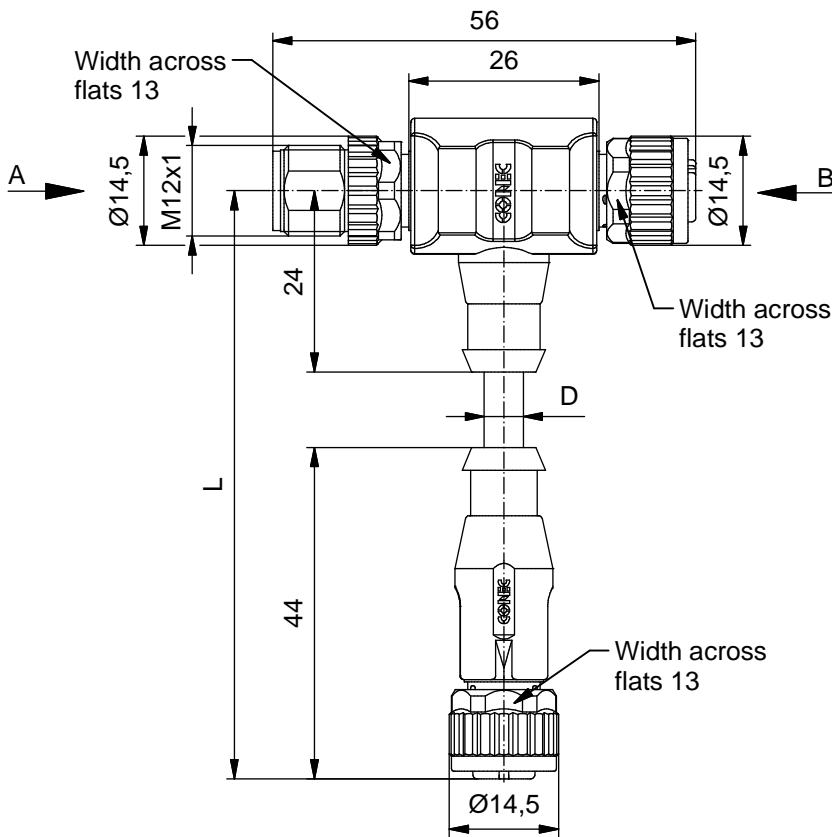
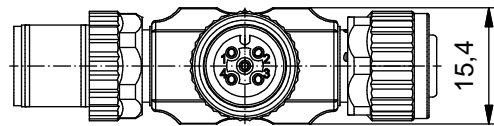
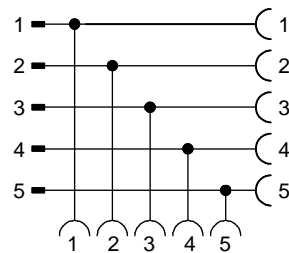
Materials:

Contact:	CuZn
Contact plating:	Nickel, gold plated
Contact carrier:	TPU GF, UL 94
Sealing:	FPM
Coupling nut/ screw:	GD-Zn, nickel plated
Moulding body:	TPU, UL 94, grey

Installation specification:

Recommended torque:	0,6 Nm
Conec installation tool:	Torque wrench: 36-000200 Insert across flats 13: 36-000220

Contact assignment:



D see data sheet cable

Part no:	Description:	Length L:	Cable:
43-05120	SAL - 12 - TS5.1 - TK5.1 - RK5.1 - 0,3 / K1	0,3m	TPU, UL 20549, black, 5x0,34mm ² Cable: 781-K1350G
43-05121	SAL - 12 - TS5.1 - TK5.1 - RK5.1 - 0,6 / K1	0,6m	
43-xxxxx	SAL - 12 - TS5.1 - TK5.1 - RK5.1 - ... / K1	x	

DO NOT ALTER CAD DRAWING BY HAND Directive 2002/95/EC RoHS compliant	Index: a 29.03.11 VF Ä3767 Coupling nut/ screw modified, spanner flats added, data sheet modified	dim. in mm	
	tolerance of cable: L ≤ 4m: L + 40mm L > 4m: L + 1%	drawn	16.10.09 Fromm
		appd.	16.10.09 Mankopf
	general tolerance:	0 ± 0,50mm 0,0 ± 0,25mm 0,00 ± 0,10mm	CONEC ®
THIS DRAWING MAY NOT BE COPIED OR REPRODUCED IN ANY WAY, AND MAY NOT BE PASSED ON TO A THIRD PARTY WITHOUT WRITTEN PERMISSION. OWNERSHIP AND COPYRIGHT OF CONEC GmbH			

title: T-Junction, male connector M12x1 - female connector M12x1 - female connector M12x1 axial
dwg no: 43K1A973
part no: see table